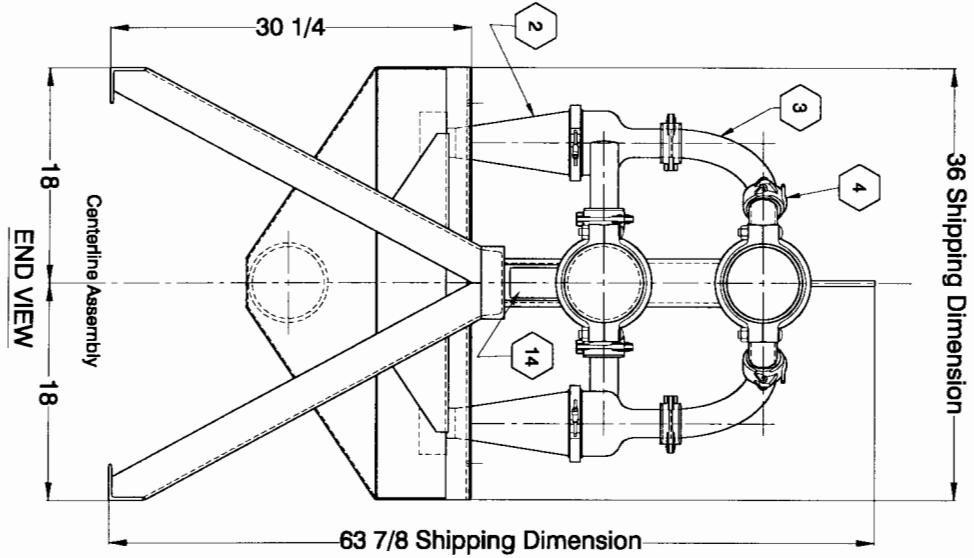
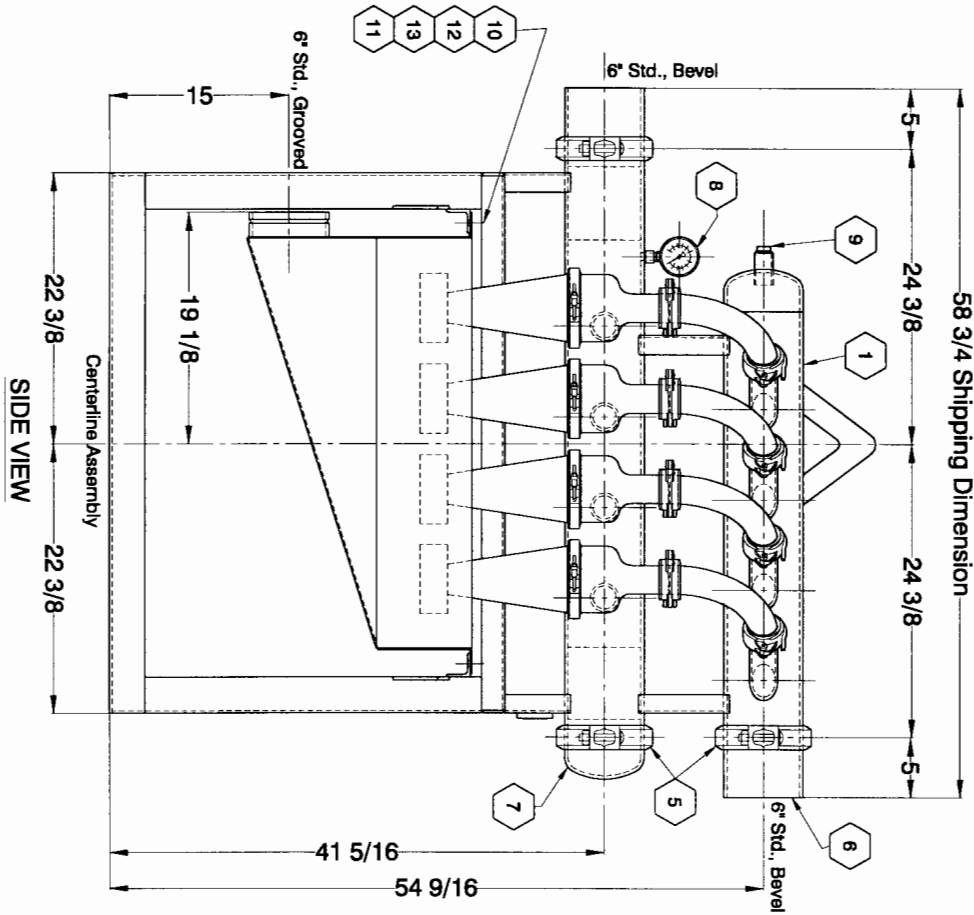


CAPACITY: 496 GPM @ 75 to 90 Head Feet
SEPARATION RANGE: 10 to 15 microns



PARTS LISTING

MARK	PART NO.	QUAN.	DESCRIPTION	WEIGHT
1	65000-M	1	V-480 Manifold	481.88
2	DL4100	8	4" Cone Assembly	72.00
3	DBL100	8	2" Discharge Elbow	8.34
4	68002	24	2" Coupling	36.00
5	68012	3	6" Coupling	27.00
6	68052	2	6" Adapter Nipple	15.81
7	69020-M	1	6" Grooved Cap	7.00

MARK	PART NO.	QUAN.	DESCRIPTION	WEIGHT
8	DBLFG100	1	Gauge	0.50
9	68031	1	Plug	0.19
10	B03F52061600016	6	Cap screw	0.28
11	N190620616000000	6	Hex Nut	0.22
12	W0105218076000	12	Flatwasher	0.16
13	L030520000060000	6	Lockwasher	0.09
13	0062	1	Nameplate	0.10
TOTAL WEIGHT (lbs.):				649.52

NOTES

- All dimensions are in inches unless otherwise noted.

REVISIONS

NO.	ZONE	DESCRIPTION	BY	DATE

NOTICE

The information contained herein is proprietary and may not be copied or transmitted to another party without the written consent of the owner, THE DOUBLE LIFE CORP., INC.

DL the double life corp., inc.

INSTALLATION DRAWING & PARTS LISTING

MODEL NO. V-480 DESILTER

PART NO.	QUANTITY	DATE	SCALE
65000	JDH	5/4/01	NTS
1/1	0	A	1