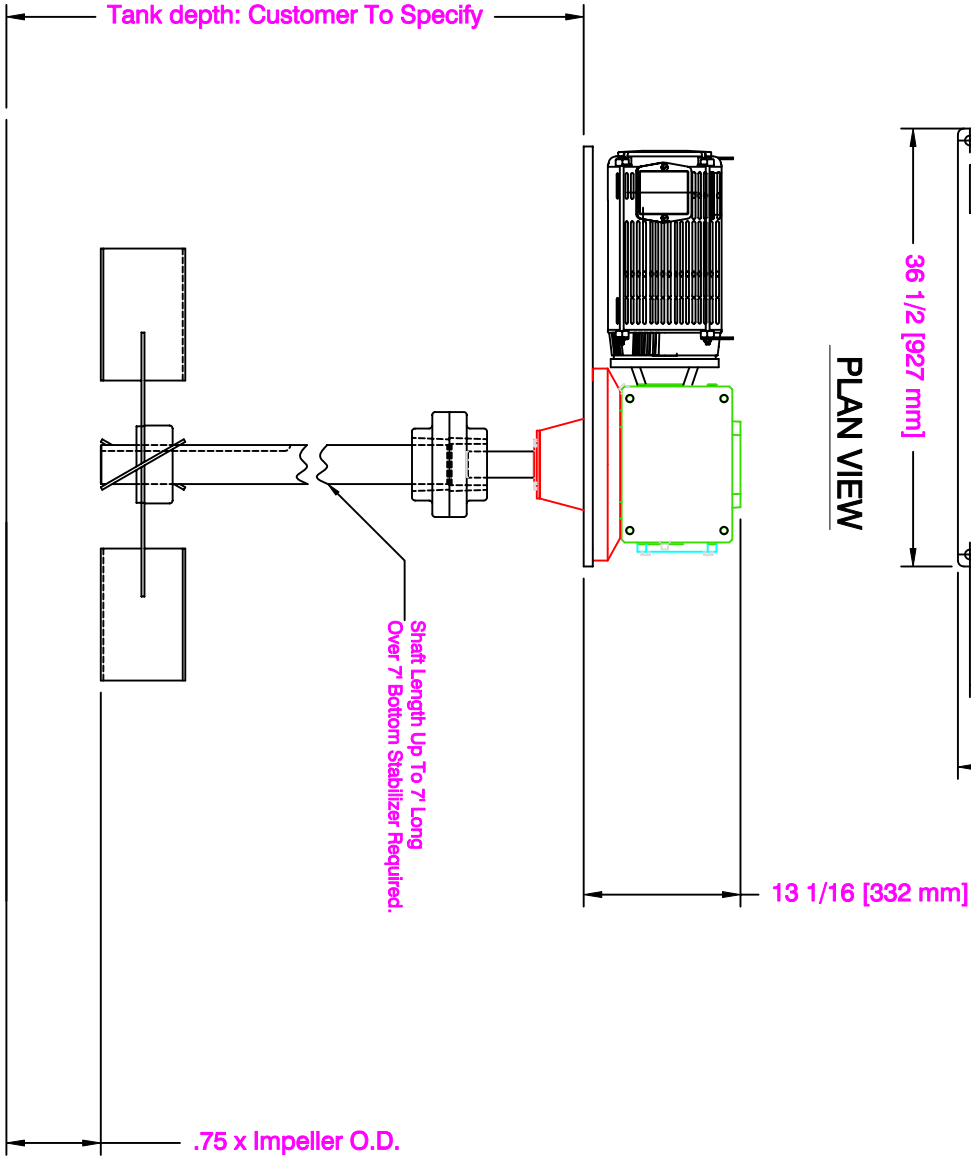


PLAN VIEW



Shaft Length Up To 7' Long  
Over 7' Bottom Stabilizer Required.

.75 x Impeller O.D.

Tank depth: Customer To Specify

NOTES		REVISIONS				
NO.	ZONE	DESCRIPTION	BY	DATE		
1.		All dimensions are in inches unless otherwise noted.				

**NOTICE**  
The information contained herein is proprietary and may not be copied or transmitted to another party without the written consent of the owner, THE DOUBLE LIFE CORP., INC.

**DC** the double life corp., inc.

**DIMENSIONAL DRAWING**  
MIXED AGITATION  
CLOSE COUPLED

PART NO.	REV. NO.	DATE	SCALE
MAT0-30100 MW / B-6-03	0		NTS
SHEET NO. DRAWING NO.	REV. NO.	DATE	SCALE
1/1 99-00496	0		A 1