

REVISONS		NOTES	
NO.	ZONE	DESCRIPTION	DATE
1		X-ed dimen. @ Plan Cl. to end, from 8-3/4" to 10".	DH 1/6/98
2	All	+ Full-Length Shaft Notes & Dimen.	DH 4/1/9
3		General Revision	DH 6/18/02

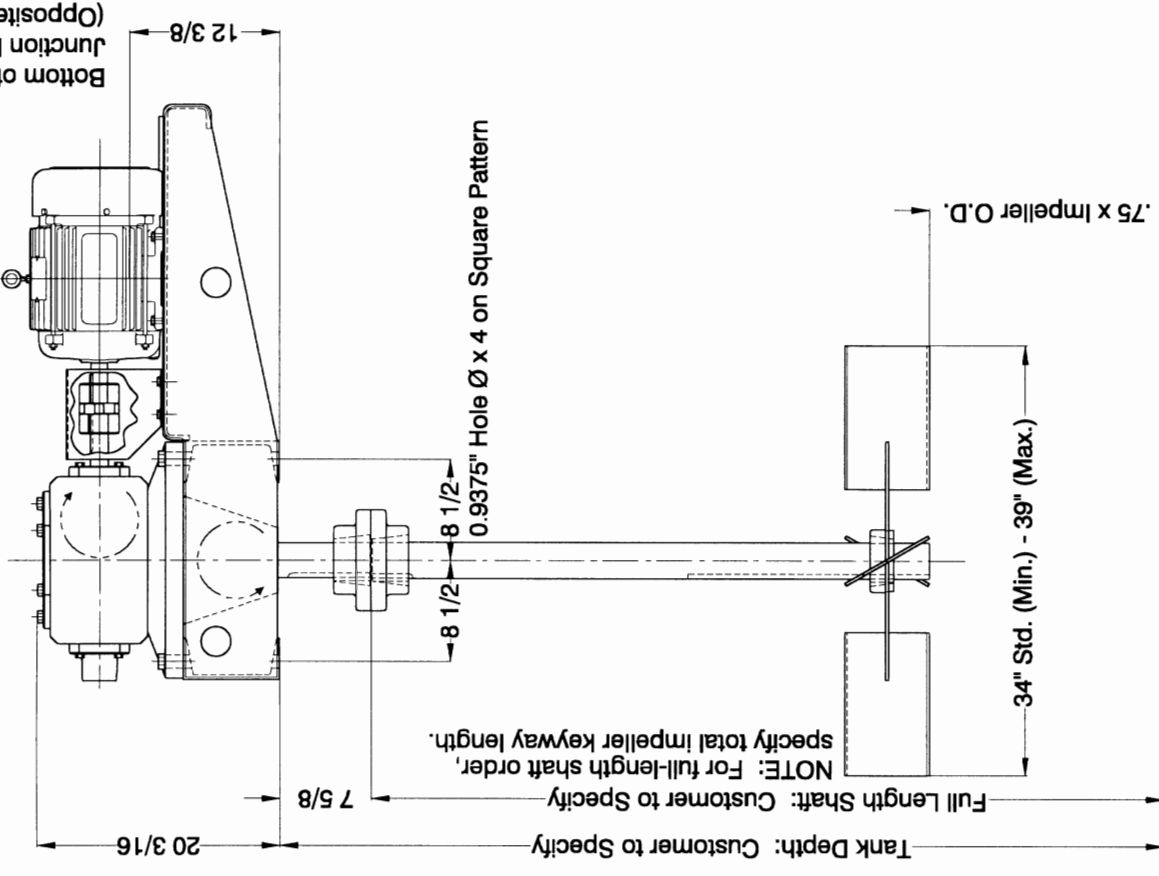
**NOTICE**  
The information contained herein is proprietary and may not be copied or transmitted to another party without the written consent of the owner, THE DOUBLE LIFE CORP., INC.

**DC** the double life corp., inc.  
TITLE

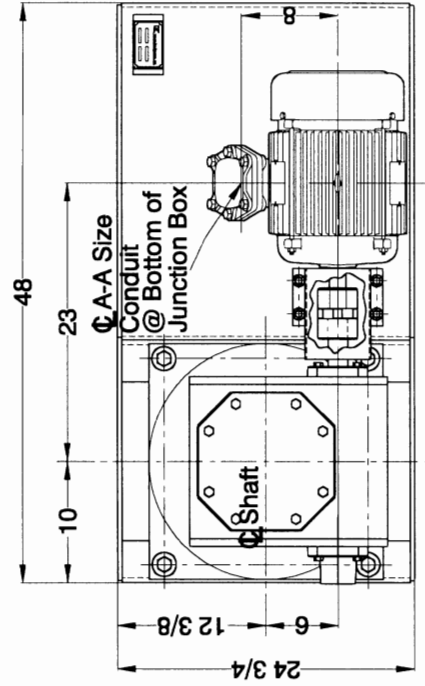
**INSTALLATION DRAWING**  
MODEL NO. MA-10-301  
10 H.P. MECHANICAL AGITATOR

PART NO.	ISSUED BY DATE	SCALE
MA10-301	JDH 1/28/97	NTS
DRAWING NO.	REV. NO.	SIZE
1/1	99-00320	3 A 1

Bottom of Motor  
(Opposite Side)



NOTE: For full-length shaft order, specify total impeller keyway length.



NOTE: Impeller not shown for clarity.

**PLAN VIEW**