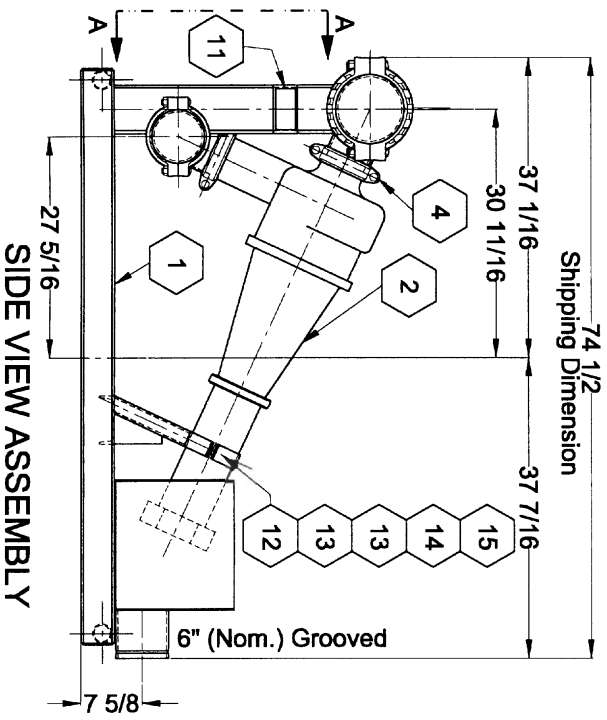
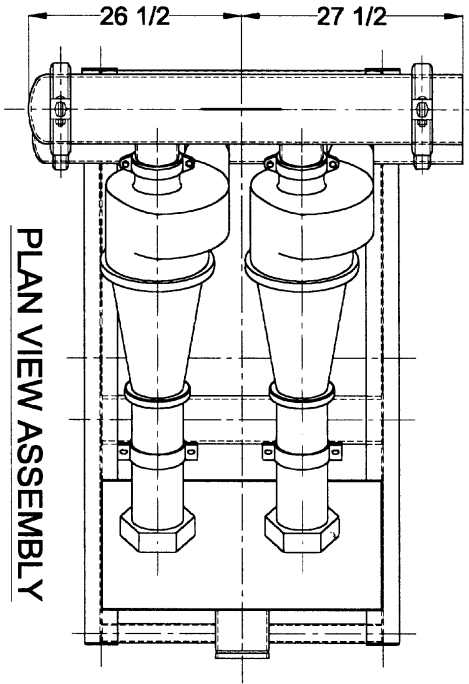


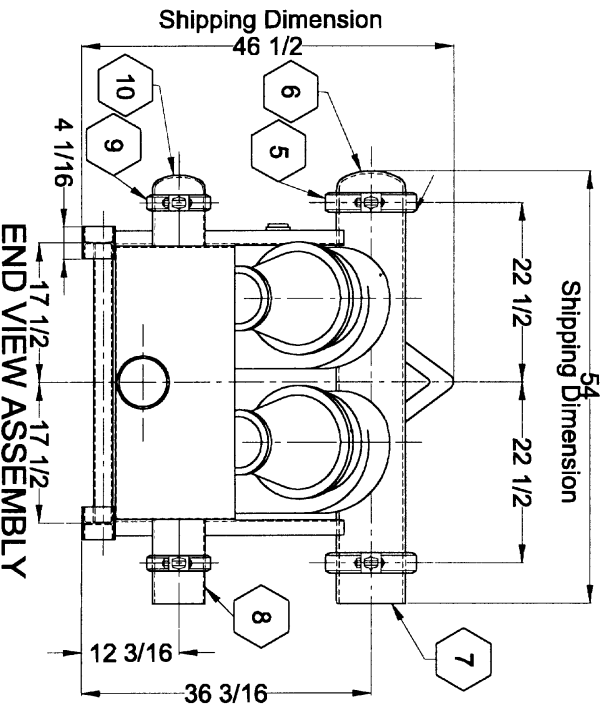
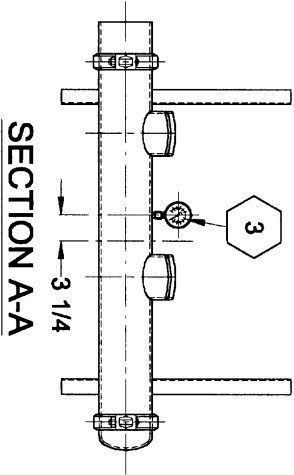
BILL OF MATERIALS

MARK	PART NO.	DESCRIPTION	QUAN.	LENGTH	WIDTH	WEIGHT
1	68001-M	1-210 Desander Manifold	1			589.23
2	DL1000	10" Cone Assembly	2			172.00
3	DBLFG100	Pressure Gauge, 0-60 psi	1			0.50
4	68014	Clamp 5"	4			22.00
5	68017	Clamp 8"	2			25.00
6	68021	Cap, 8" GRV.	1			12.00
7	68053	Nipple, Std., GRV x Bavel, 8"	1			11.90

MARK	PART NO.	DESCRIPTION	QUAN.	LENGTH	WIDTH	WEIGHT
8	68052	Nipple, Std., GRV x Bavel, 6"	1			7.90
9	68012	Clamp 6"	2			13.40
10	68017	Cap, 6" GRV	2			7.00
11	0062	Nameplate	1			0.10
12	B03F52081300032	Cap screw, 1/2" x 2"	4			0.60
13	W0105217098000	Flatwasher, 1/2"	8			0.08
14	L03F52000080000	Lockwasher, 1/2"	4			0.08
15	N190520813000000	Hex Nut, 1/2"	4			0.16
TOTAL WEIGHT						831.95



**CAPACITY: 1,050 gpm @ 70 Feet of Head
3,974 lpm @ 21.34 Meters of Head**



NOTES

- All dimensions are in inches unless otherwise noted.

REVISIONS

NO.	ZONE	DESCRIPTION	BY	DATE
1	ALL	+Parts listing	MW	1-11-99
3	All	Gen Revision	DH	01/25/99
4	All	General Revision	DH	8/2/00
5	ALL	GEN	MW	3-11-03

NOTICE

The information contained herein is proprietary and may not be copied or transmitted to another party without the written consent of the owner, THE DOUBLE LIFE CORP., INC.

DL the double life corp., inc.

CUSTOMER DRAWING
INSTALLATION DRAWING & PARTS LISTING

MODEL NO. 1210 DESANDER

PART NO.	DRAWN BY/DATE	SCALE
68001	MW / 7/6/98	NTS
1/1	99-00880	5